



MAESTRO

ENGINE

Make	: JOHN DEERE
Type	: 4045HMK80
Number of Cylinders	: 4 in line
Bore & Stroke	: 106 x 127 mm
Displacement	: 4500 cc
Maximum Power	: 74 kW, 99 HP (2200 rpm)
Maximum Torque	: 405Nm (1400 rpm)

High power and torque output, water cooled turbocharged diesel engine.
Compatible with USA EPA Tier 3 and European EC Stage III-A exhaust gas emission regulations

TRANSMISSION

- Autoshift ZF transmission for heavy duty service
- Torque converter with 2,87: 1 stall ratio
- Electrically controlled 2 Wheel Drive or 4 Wheel Drive selection
- 5 forward, 3 reverse gears

AXLES

- Heavy duty service type ZF axles
- Planetary outboard type reduction gears
- Total 16 degrees oscillation on the front axle
- Equipped with LSD (Limited Slip Differential) and differential lock

CAB & HOOD

- Aesthetics
- Widened Visual Angle
- Spacious Interior
- Ergonomic & Esthetic Interior Design
- Ergonomic Controls and Hand Brake
- Improved Ventilating and Air-conditioning System
- Rops and Fobs Certified
- Multi-functional Seat
- Adjustable Steering Wheel
- Ergonomic & Elegant Hand Throttle
- Panoramic View by Large Glass Windows
- Ease of service maintenance
- Easy detachable front window blind
- Impact resistant single piece casting tip

HYDRAULIC SYSTEM

Simple, reliable and high-efficient tandem gear pump

Main Pump Flow	: 90 lt/min (2200 rpm)
Pressure	: 230 bar
Auxiliary Pump Flow	: 57 lt/min (2200 rpm)
Pressure	: 210 bar

DRIVING SPEEDS

At 2200 rpm engine speed

1 st gearh	: 6	km/h
2 nd gearh	: 11.5	km/h
3 rd gearh	: 16	km/h
4 th gearh	: 24.5	km/h
5 th gearh	: 40	km/h



TIRES

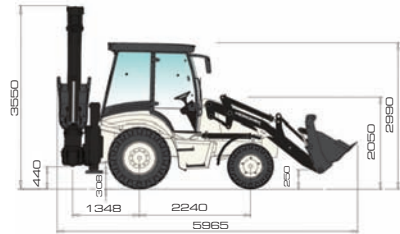
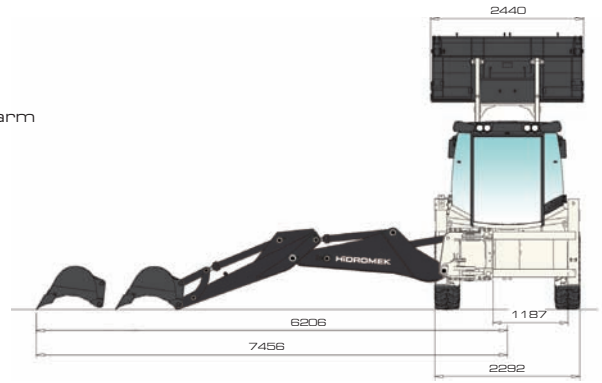
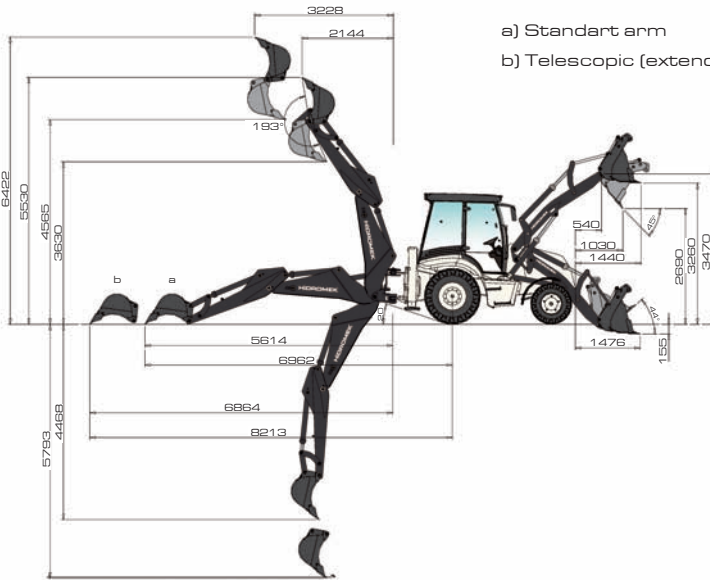
Front	: 16/70 - 20 12 Ply Rating
Rear	: 16.9 - 28 12 Ply Rating (Optional : 18.4 - 26 12 Ply Rating)

OPERATING WEIGHT

Operating weight (with standard equipment)	: 8860 kg
Operating weight (with telescopic boom)	: 9100 kg



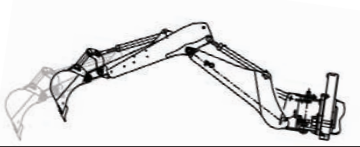
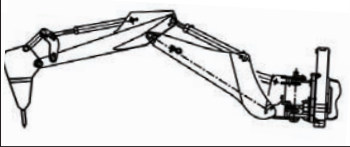
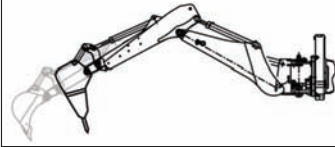
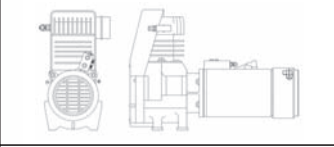


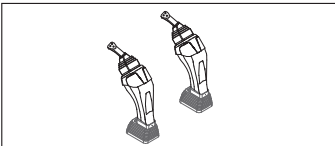
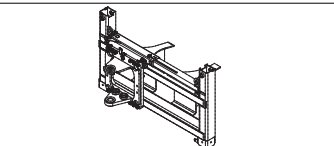
HMK102B MAESTRO



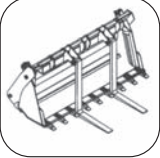
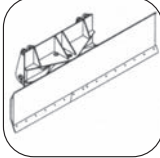

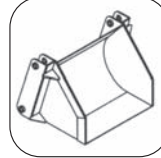
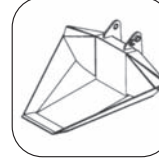






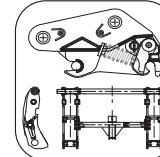
LOADER PERFORMANCE	
4 in 1 bucket capacity (m ³)	1,1
Max. bucket breakout force (kgf)	7209
Max. loading arm breakout force (kgf)	6515
Lifting capacity to maximum height (kg)	3016

BACKHOE PERFORMANCE	Standard Arm	Telescopic Arm (extended)	Telescopic Arm (retracted)
Bucket capacity (m ³)	0.14	0.14	0.14
Max. bucket breakout force (kgf)	6209	6364	6364
Max. dipper breakout force (kgf)	2983	2026	2867

Accessories

			
Telescopic arm	Hydraulic breaker installation	Hydraulic breaker inst. + Telescopic arm	Air Compressor
			
Air conditioner	MSS (Motion Stabilizer System)	Joystick	Powerslide

Attachments

					
4-in-1 Bucket with forks	Grading blade	Timber grab	Special buckets	Trapezoidal ditch bucket	Ripper
					
Offset bucket	Clamshell grab	Backhoe bucket of different sizes	Hydraulic breaker	Auger	Quick coupler

HIDROMEK

FACTORY - HEAD OFFICE
 Ayas yolu 25. km 1. Organize Sanayi Bölgesi Osmanlı Caddesi No: 1
 06935 Sincan / ANKARA / TURKEY
 Phone: (+90) 312 267 12 60 Fax: (+90) 312 267 21 12
 www.hidromek.com email: export@hidromek.com.tr

Notice:
 HIDROMEK has the right to modify the specifications and design of the model indicated on this brochure without prior notice.