

MANILEC

■ *EP 16S ac / 18S ac*
EP 20S ac / 22S

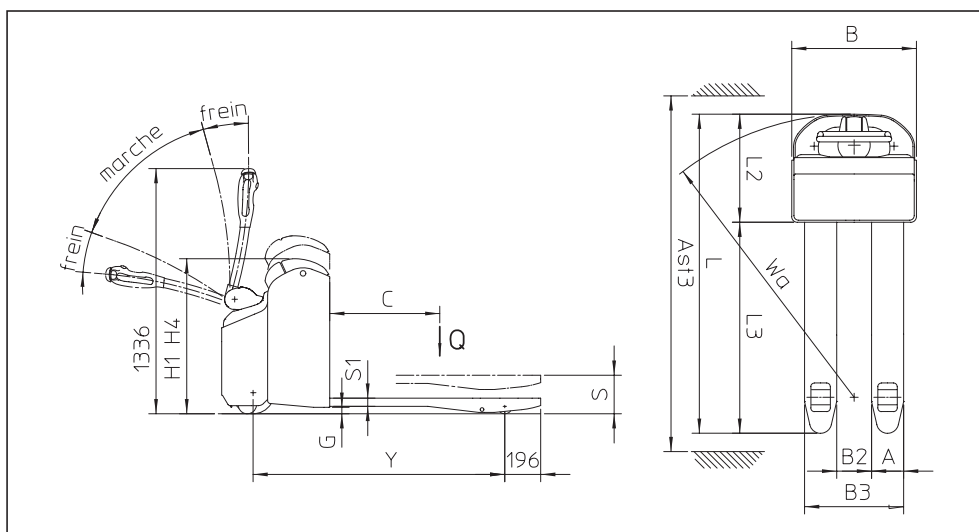
Pedestrian operated electric pallet trucks



 **MANITOU**

Designation	1.1		MANITOU				
	1.2		EP 16S ac	EP 18S ac	EP 20S ac	EP 22S	
	1.1		Manufacturer				
	1.2		Model type				
	1.3		Battery	Battery	Battery	Battery	
	1.4		Pedestrian		Pedestrian		
	1.5	Q (t)	1,6	1,8	2	2,2	
	1.6	c (mm)	600	600	600	600	
	1.8	x (mm)	964/901	953	953	953	
	1.9	y (mm)	1309/1246	1372/1312	1372/1312	1452/1392	
Weights	2.1		kg	410	480	482	560
	2.2		kg	825/1185	1002/1278	1077/1405	1286/1474
	2.3		kg	286/1324	336/144	337/145	392/168
Wheels	3.1			Polyurethane	Polyurethane	Polyurethane	Polyurethane
	3.2		mm	1x(230x70)	1x(230x75)	1x(230x75)	1x(230x75)
	3.3		mm	2x(82x82)	2x(82x100)	4x(82x70)	4x(82x70)
	3.4		mm	2x(100x40)	2x(100x40)	2x(100x40)	2x(100x40)
	3.5			1x2/2	1x2/2	1x2/2	1x2/2
	3.6		b10 (mm)	435	435	435	435
	3.7		b11 (mm)	366	365 to 505	365 to 505	365 to 505
Dimensions	4.4		h3 (mm)	125	125	125	125
	4.9		h14 (mm)	866/1320	1336	1336	1336
	4.15		h13 (mm)	85 ⁺⁵ ₊₀	85 ⁺⁵ ₊₀	85 ⁺⁵ ₊₀	85 ⁺⁵ ₊₀
	4.19		l1 (mm)	1659	1739	1739	1819
	4.20		l2 (mm)	509	589	589	669
	4.21		b1 (mm)	680	680	680	680
	4.22		s/e/l (mm)	47x160x1150	45x175x1150	45x175x1150	45x175x1150
	4.25		b5 (mm)	526	540 - 680	540 - 680	540 - 680
	4.32		m2 (mm)	38	35	35	35
	4.34		AST (mm)	1921	1939	1939	2019
	4.35		Wa (mm)	1475/1422	1544/1484	1544/1484	1624/1564
Performance	5.1		km/h	5,8/6	5,8/6	5,8/6	5,6/6
	5.2		m/s	0,03/0,038	0,030/0,038	0,029/0,038	0,028/0,038
	5.3		m/s	0,05/0,045	0,049/0,028	0,049/0,028	0,052/0,045
	5.8		%	10/25	10/25	10/25	10/25
	5.10			Electromagnetic	Electromagnetic	Electromagnetic	Electromagnetic
	5.11			Handle release	Handle release	Handle release	Handle release
Drive unit	6.1		kW	1,2	1,2	1,2	1
	6.2		kW	1	1	1	1
	6.3			Traction	Traction	Traction	Traction
	6.4		V/Ah	24V/170	24V/180(250)	24V/180(250)	24V/270(360)
	6.5		kg	170	180/250	180/250	240/340
Misc	8.1			AC Mosfet Variator	AC Mosfet Variator	AC Mosfet Variator	Sepex Mosfet Variator
	8.4		dB (A)	65	65	65	65

03/2010 - REF. 1060 GB - Imp. Pagniez - Cormelles en Vexin



MANITOU may, without notice, improve and modify the products presented in this data sheet.

MLM
Z.I., 5, Avenue du Vert-Galant - 95310 SAINT-OUEN L'AUMONE - FRANCE
Tél. : +33 (0) 1.34.32.65.06 or 08 - Fax : +33 (0) 1.34.32.65.10

